

GROUND BELOW

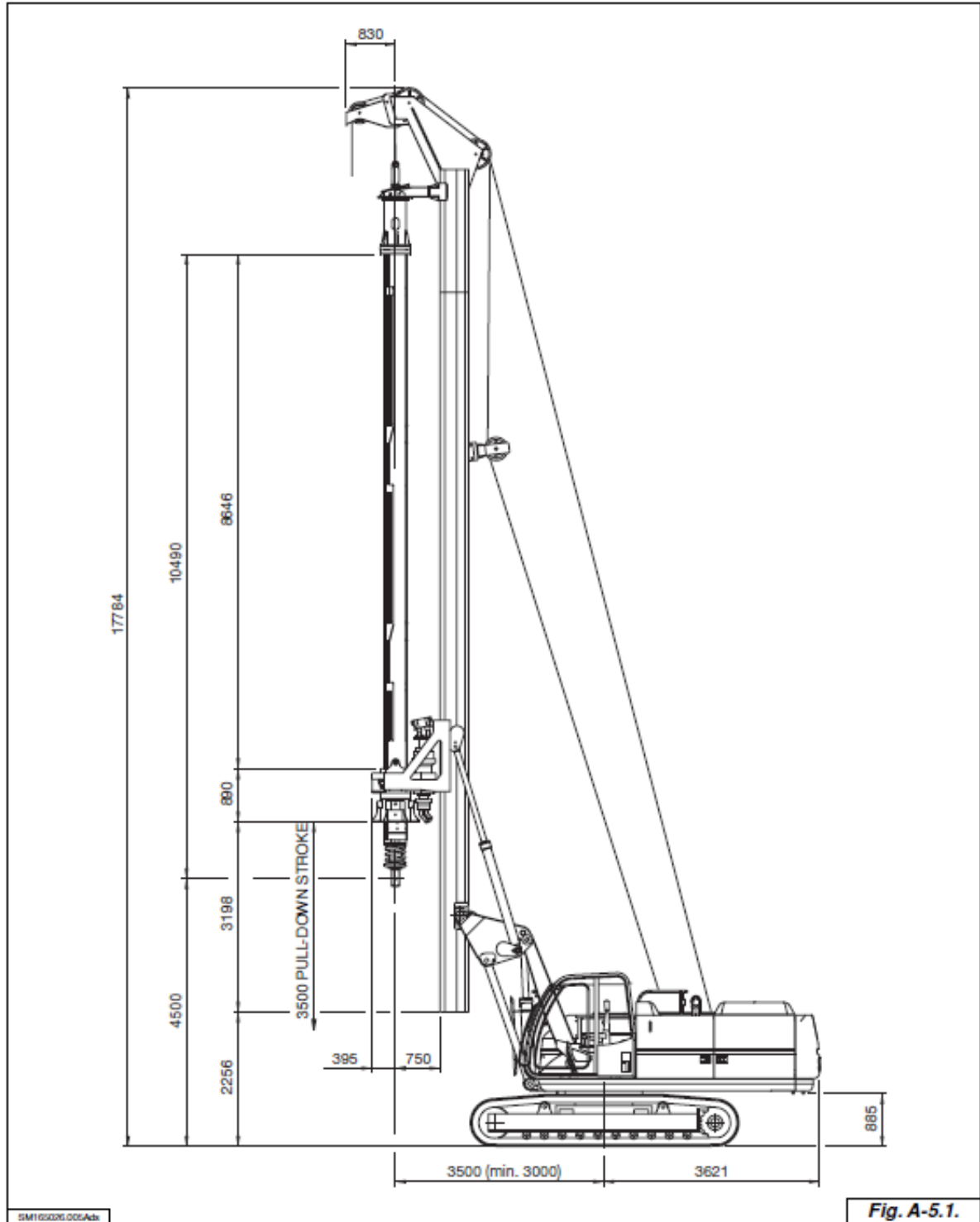
Soilmec 312/200

Plant Information

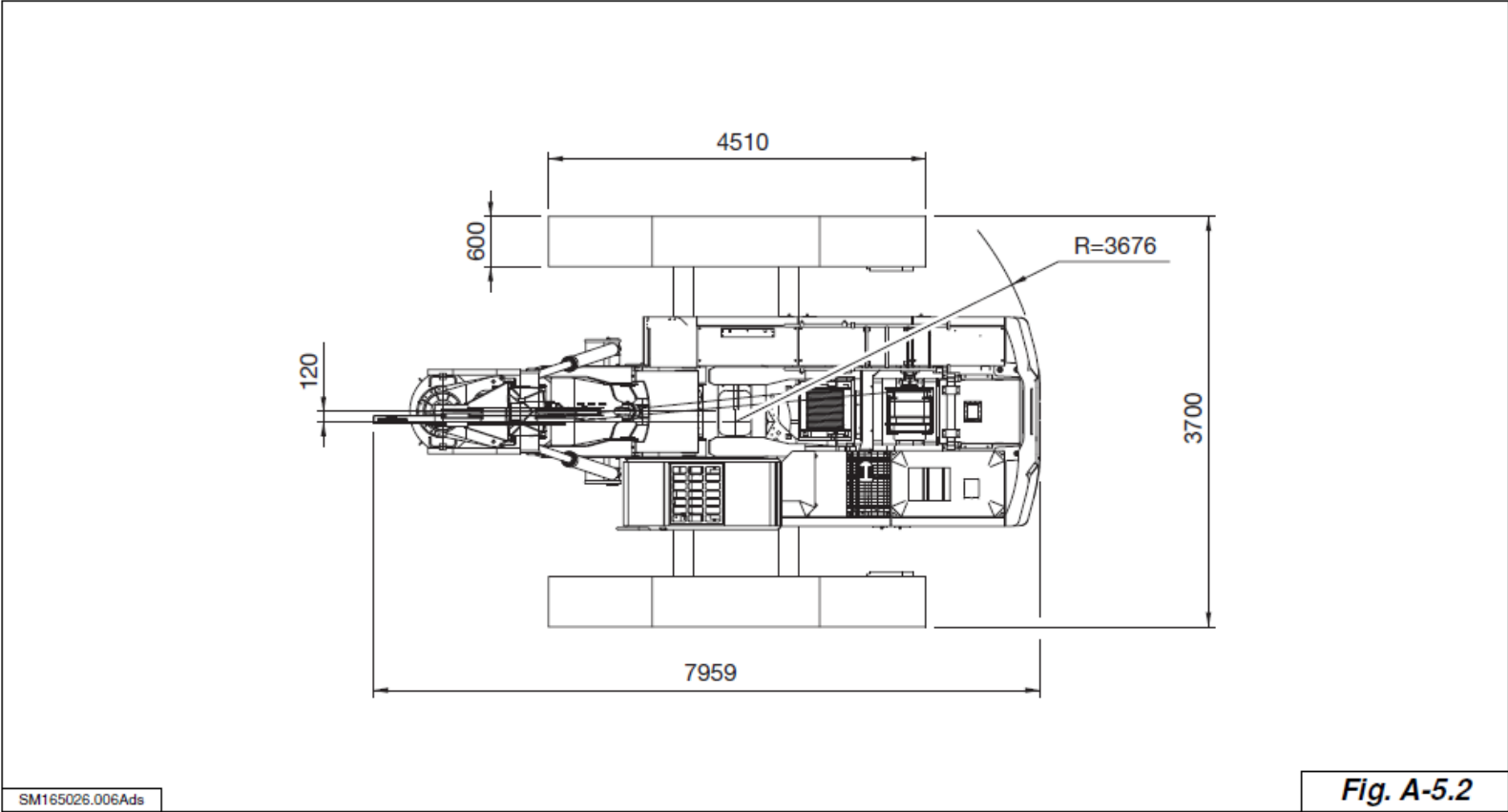


GROUND BELOW

A-5. DIMENSIONS AND WEIGHTS A-5.1 MACHINE IN WORKING CONFIGURATION



GROUND BELOW

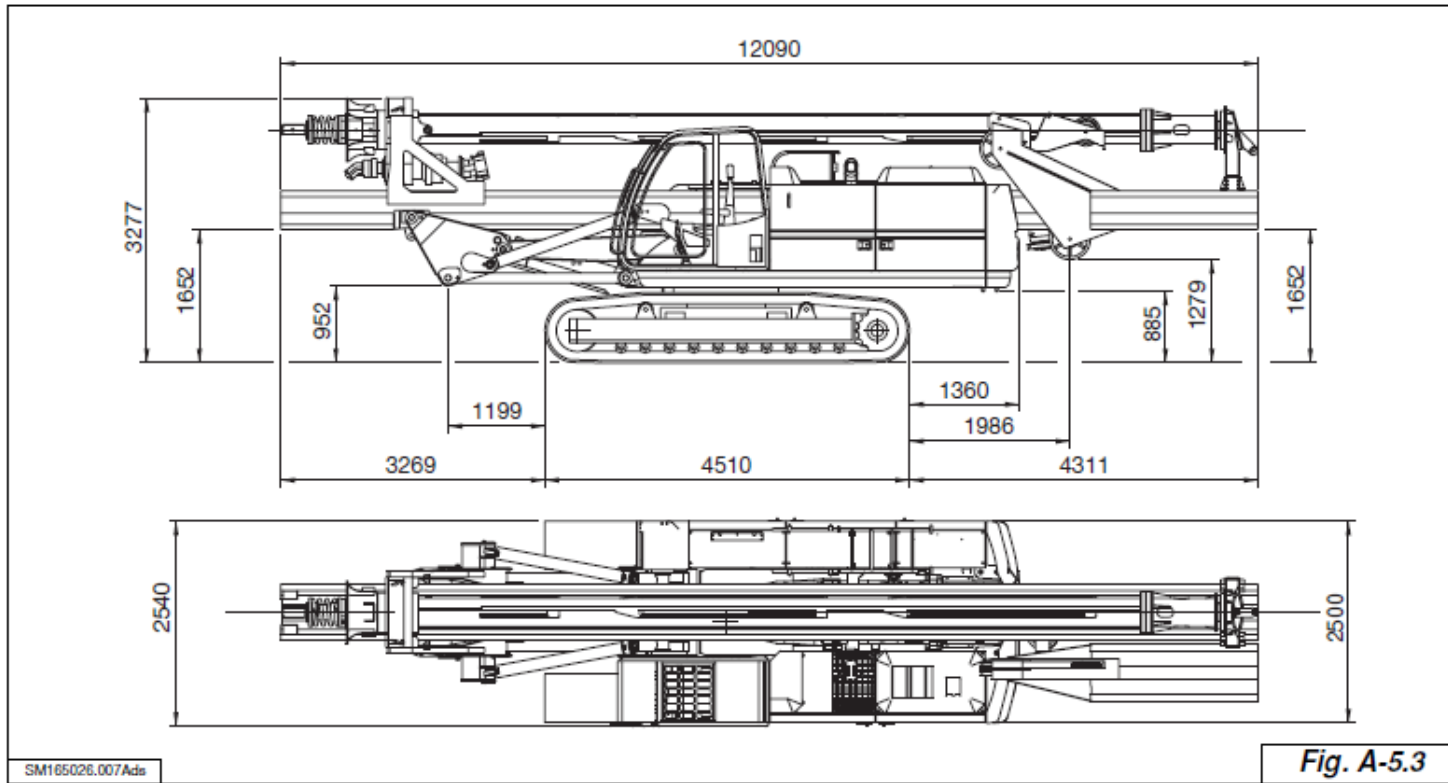


WEIGHTS


Weight in working configuration (with 1ton tool and mechanical-locking kelly 4x11000) **35 tons**

GROUND BELOW

A-5.2 MACHINE IN TRANSPORT CONFIGURATION



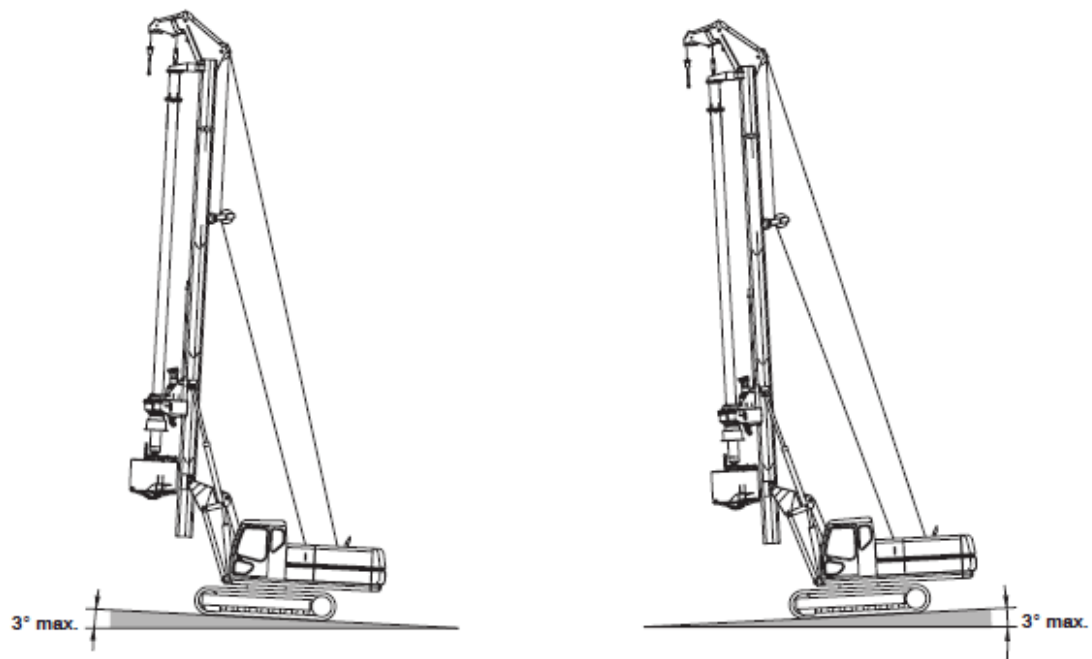
Weight with mechanical-locking kelly 4x11000 and kelly guide head (Fig.A-5.3).....	34 tons
--	---------

 **ATTENTION**

The reduced overall dimensions and weight allow transporting the machine without removing any part of it (except for the tool) or asking for special authorisations.

GROUND BELOW

WORKING CONFIGURATION WITH VERTICAL MAST



MAX GROUND PRESSURE = 0.35 MPa

⚠ DANGER
Do not exceed the max limits indicated in this manual.

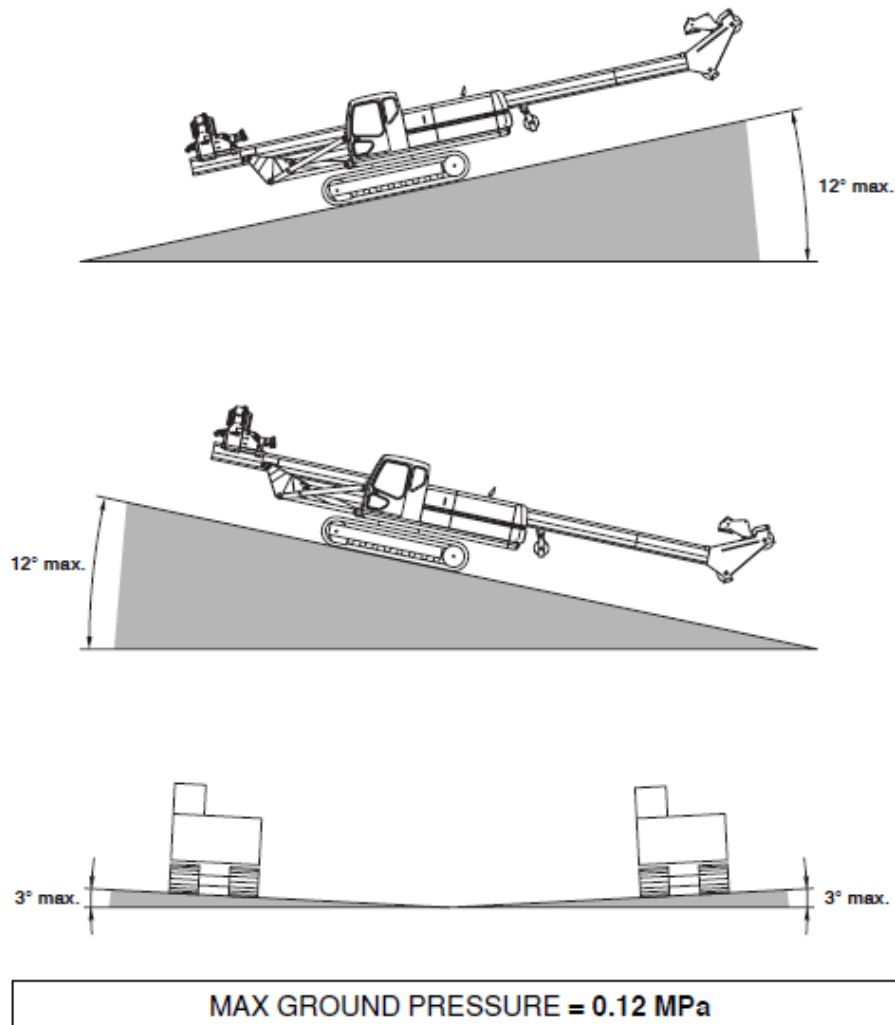
⚠ WARNING
In case of different ground conditions, compulsorily address to SOILMEC After-Sales Service.

SM165026.01BAds

Fig. A-6.5

GROUND BELOW

MACHINE IN TRANSPORT CONFIGURATION OR WITH THE MAST LOWERED



⚠ DANGER
Do not exceed the max limits indicated in this manual.

⚠ WARNING
In case of different ground conditions, compulsorily address to SOILMEC After-Sales Service.

SM165026.019Adc

Fig. A-6.6

GROUND BELOW

A-6.5 MAX GRADIENTS AND GROUND PRESSURES

