

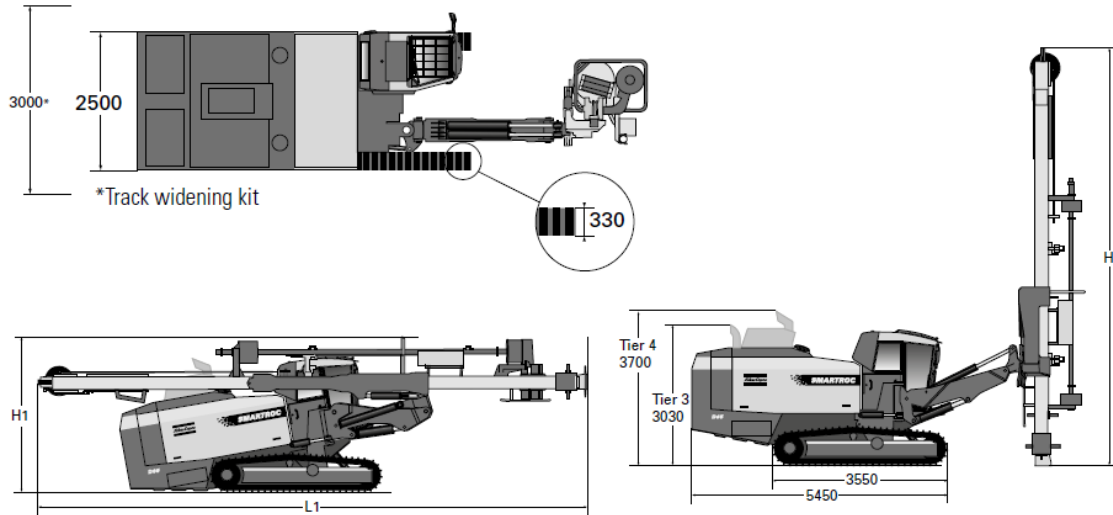
Atlas Copco D65

Plant Information



GROUND BELOW

Atlas D65 Dimensions & Weights

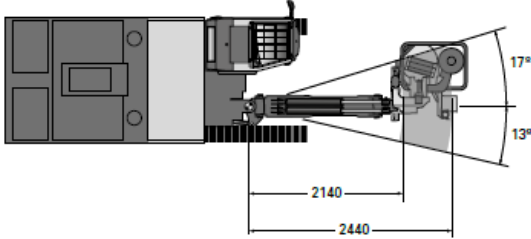


HEIGHT AND LENGTH		
	Metric	Imperial
Height (H1)	3 500 mm	11' 6"
Length (L1)	11 600 mm	38'
Feed height		
Feed height (H)	11 600 mm	38'

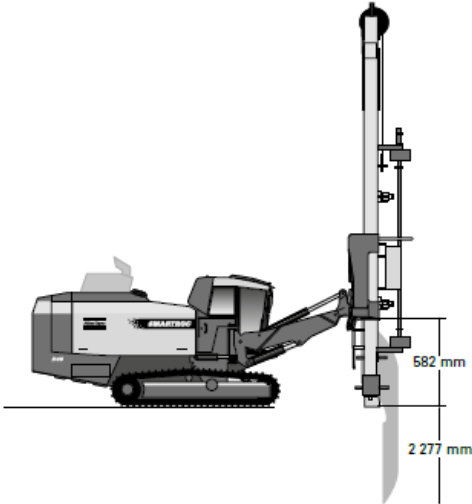
WEIGHT		
Standard unit excluding all options and drill steel	Metric	Imperial
SmartROC D65 (T3)	23 700 kg	52 250 lb
SmartROC D65 (T4)	24 100 kg	53 130 lb

GROUND BELOW

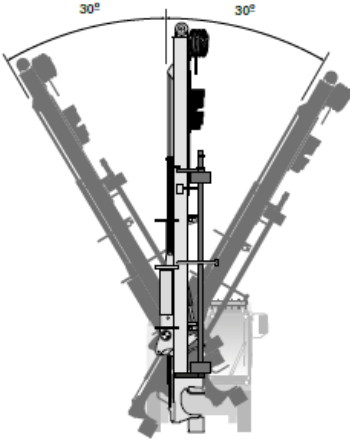
Angles & Reach



Horizontal reach (mm)



Vertical reach (mm)



Feed swing angles