

# GROUND BELOW

## Atlas Copco D9C

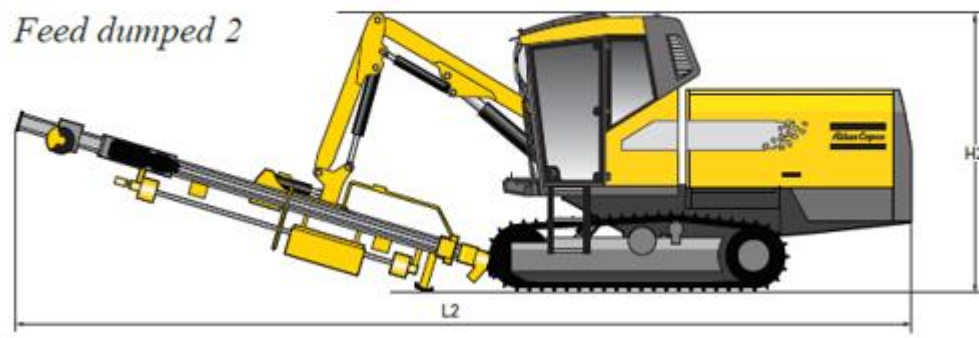
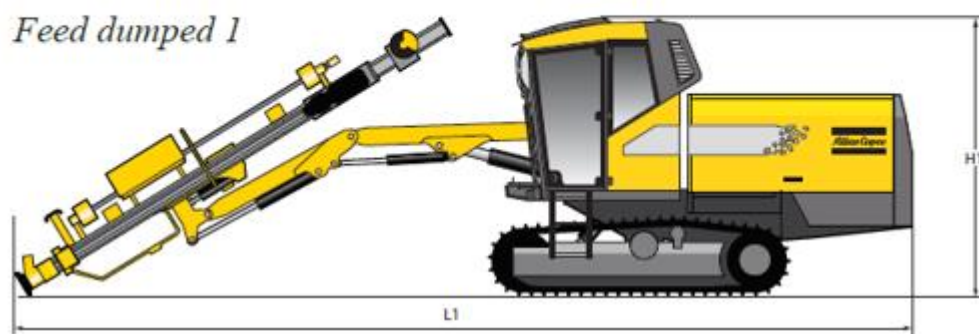
### Plant Information



# GROUND BELOW

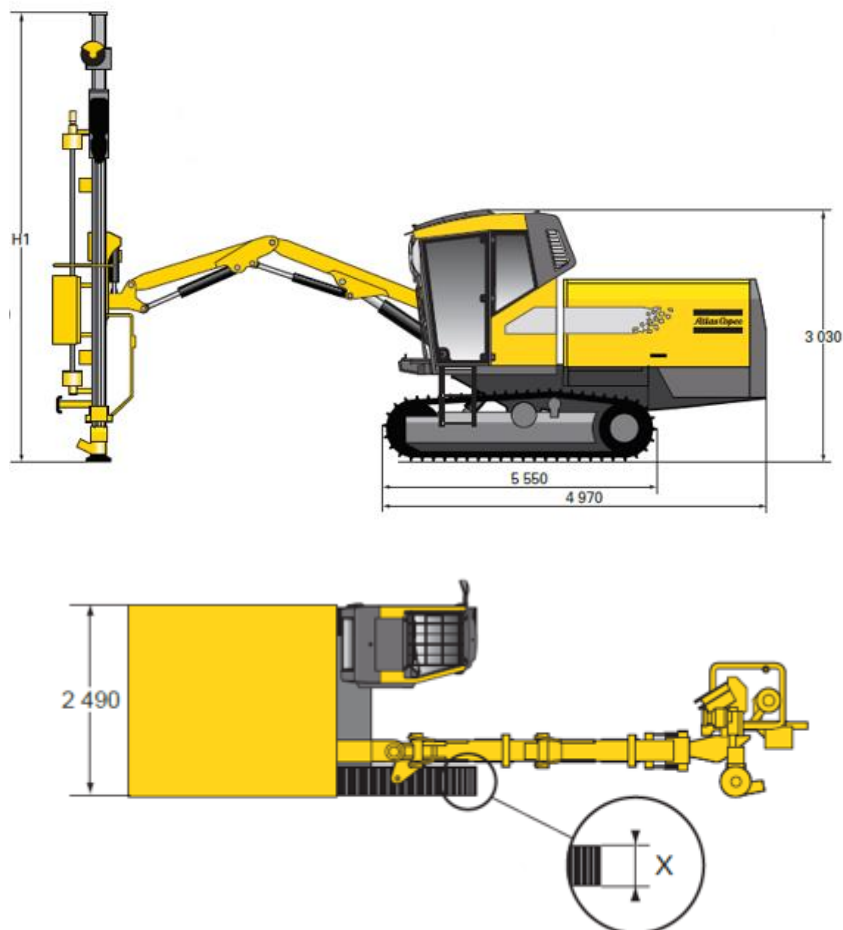
## Atlas Copco D9C Transport Dimensions

Height & Length	
<b>Feed Dumped 1</b>	
Height (H1)	3200 mm
Length (L1)	11 000 mm
<b>Feed Dumped 2</b>	
Height (H1)	3500 mm
Length (L1)	10 900 mm



# GROUND BELOW

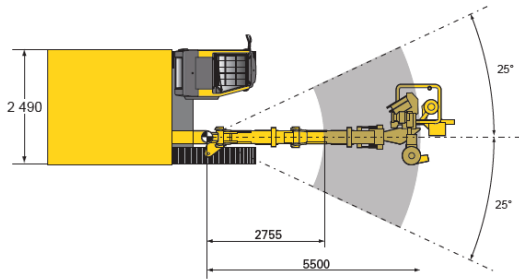
## Dimensions and Weight



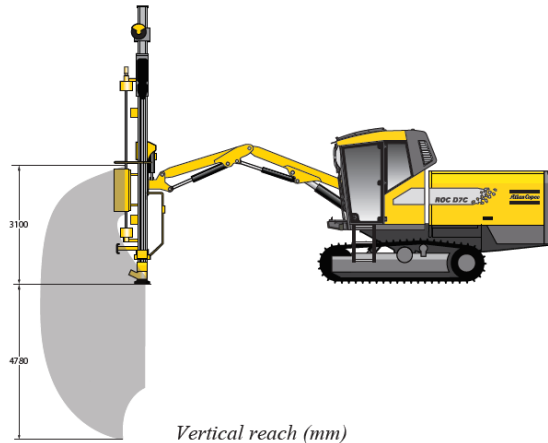
Feed Height (H)	
ROC D9C	7 140 mm
Weight	
ROC D9C	15 100 kg
Track shoe width (X)	
ROC D9C with FL 6	330 mm

# GROUND BELOW

## Coverage Areas

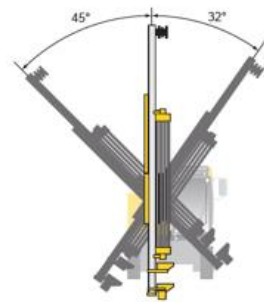


*Horizontal reach (mm)*

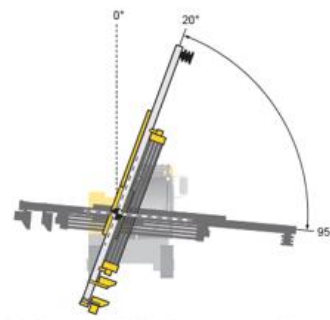


*Vertical reach (mm)*

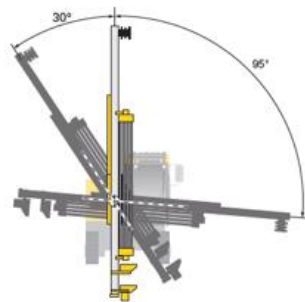
## Feed Swing Angles



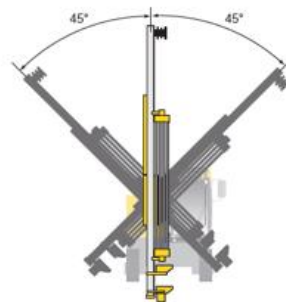
*Feed without toe-hole kit*



*Feed without toe-hole kit but after reconnection for horizontal feed*



*Feed with toe-hole kit*



*ROC D7C LF*