

GROUND BELOW

Case TR270

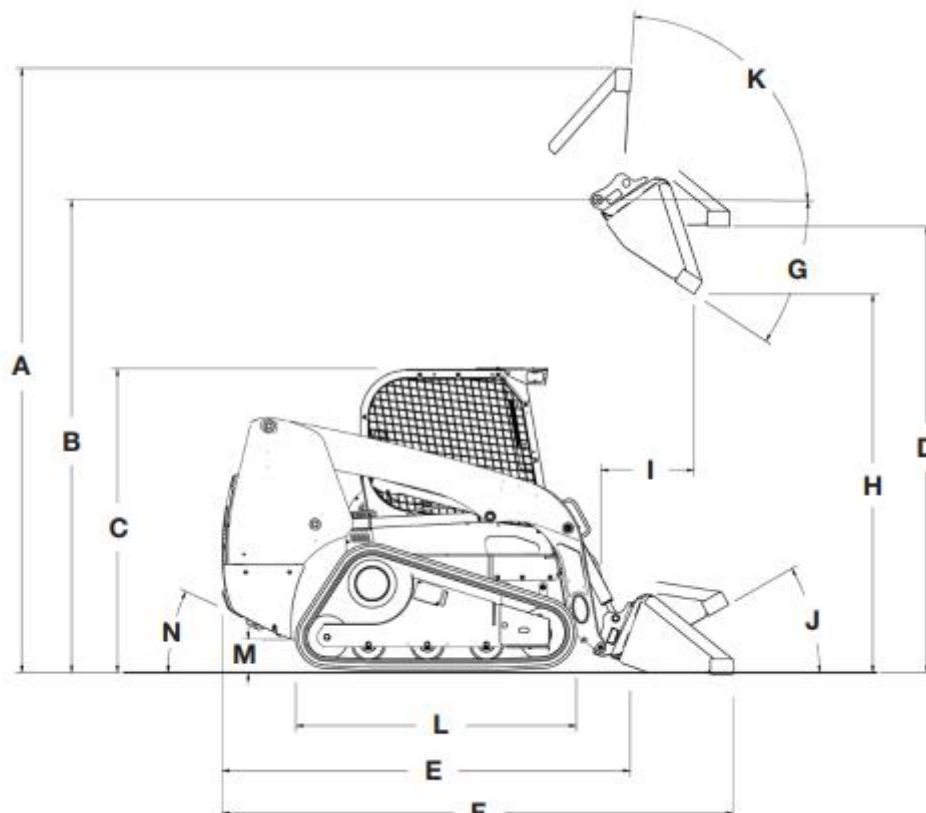
Plant Information



GROUND BELOW

Case TR270 Dimensions & Weights

CASE TV380	Annotation	Dimensions
Width over tracks	S	1.68 m
Overall max height	A	4.18 m
Ground clearance	M	0.20 m
Operational weight		3750 kg
Track gauge	R	1.36 m
Overall max length	E/F	3.51 m
Height to bucket hinge pin	B	3.18 m
Height to top of rops	C	2.0 m
Track on ground	L	1.42 m



GROUND BELOW

