

GROUND BELOW

Geoprobe 7822DT

Plant Information



GROUND BELOW

Geoprobe 7822DT - Dimensions and Specifications

Table 2.1: General specifications and dimensions for the Geoprobe® Model 7822DT.		
Ambient Operating Temperature Range	-20°F to 120°F	-29°C to 49°C
Unit Weight	7,555 lb	3427 kg
Working Height ⁽¹⁾ (probe cylinder fully extended)	178 in.	4521 mm
Working Height ⁽²⁾ (probe cylinder fully extended)	183 in.	4648 mm
Transport Height ⁽¹⁾	76 in.	1930 mm
Transport Height ⁽²⁾	94 in.	2388 mm
Transport Width	60 in.	1524 mm
Transport Length	133 in.	3378 mm
Surface Load	3.9 lb/in. ²	0.27 kg/cm ²
Ground Speed	0-5 mph	0-8 kph

⁽¹⁾Standard machine without optional hydraulic winch and mast

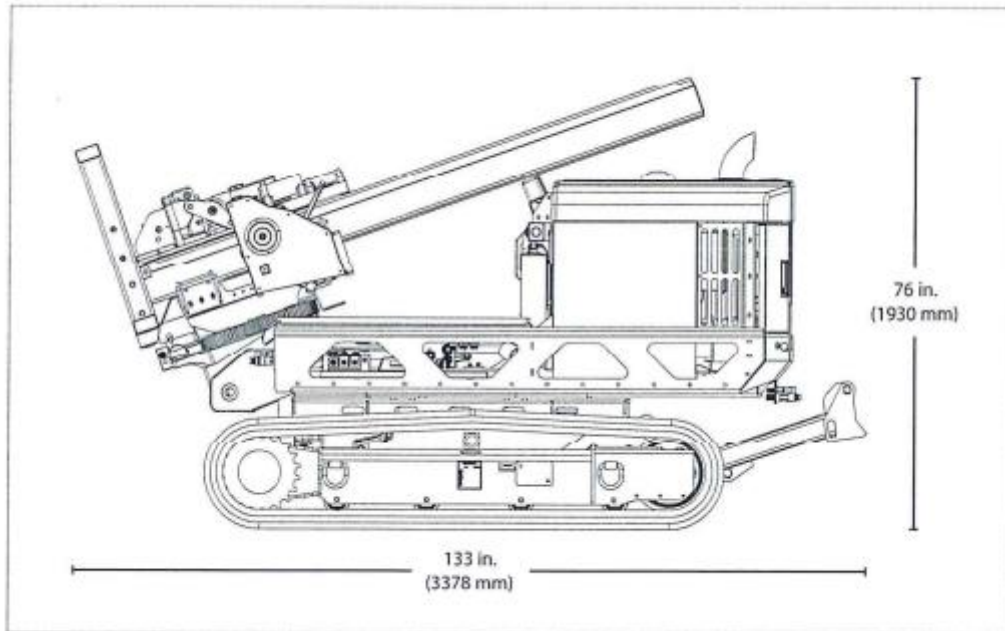
⁽²⁾With optional hydraulic winch and mast

Geoprobe 7822DT – Engine Specifications

Table 2.2: Engine specifications for the Geoprobe® Model 7822DT.		
Engine Type	Kubota® 4-Cylinder Turbo Diesel	
Engine Power (gross intermittent - SAE J1995)	59.0 hp @ 2,700 rpm	44.0 kW @ 2,700 rpm
Engine Power (net continuous - SAE J1349)	47.9 hp @ 2,700 rpm	35.8 kW @ 2,700 rpm
Cooling System	Liquid	
Fuel Capacity (diesel)	17 gal.	64 L
Oil Capacity	2.5 gal.	9.5 L

GROUND BELOW

Probe Derrick Folded for Transport



GROUND BELOW

Probe Derrick – ready for work

