

GROUND BELOW

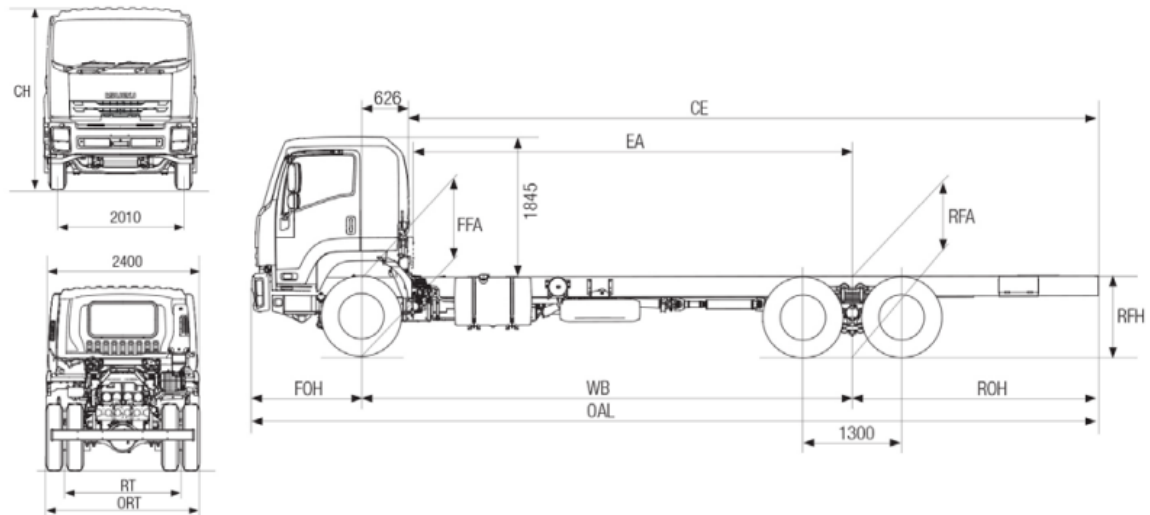
Isuzu FVZ Tipper

Plant Information



GROUND BELOW

Isuzu FVZ Tipper - Specifications



Key	Dimensions
WB	4410 mm
OAL	7605 mm
FOH	1440 mm
ROH	1775 mm
EA	3710 mm
CE	5540 mm
RT	1840 mm
ORT	2445 mm
CH	2850 mm
FFA (unladen)	1000 mm
RFA (unladen)	1075 mm
RFH (unladen)	1090 mm
Kerb to kerb	15.4 m