

Morooka MST-3000 Tipper

Plant Information



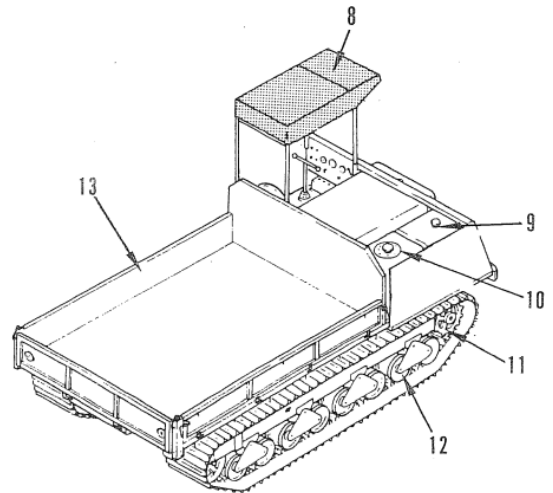
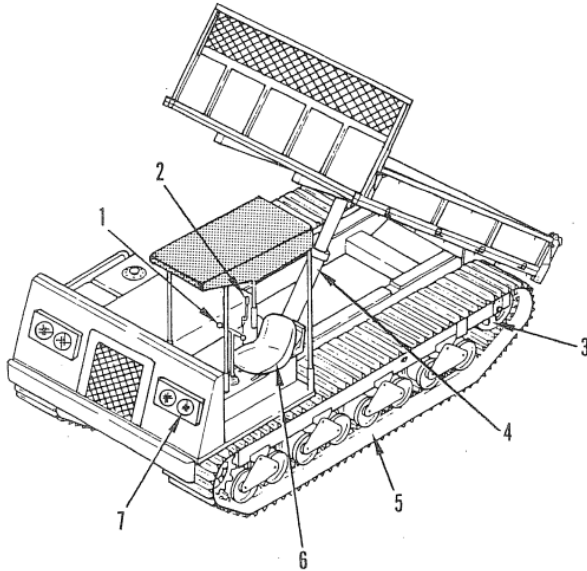
GROUND BELOW

Morooka MST-3000 Tipper Components

- 1. Travel and steering lever
- 2. Dump control lever
- 3. Rear idler
- 4. Dump cylinder

- 5. Rubber crawler
- 6. Operator's seat
- 7. Head lamp

- 8. Hood
- 9. Fuel tank
- 10. Hydraulic oil tank
- 11. Drive sprocket
- 12. Track rollers
- 13. Dump body



GROUND BELOW

Dimensions and Specifications

Description	Dimensions
Operating weight	19 520 kg
Travel Speed (low/high)	7/10 km/h
Max. Load Capacity	15 000 kg
Dump Body Capacity	5.85 m ³
Grade ability	57%
Engine model	Isuzu 6RB1-T
Flywheel horsepower	296 hP
	2100 rpm
Length	6300 mm
Width	3048 mm
Total Height (cab)	3150 mm
Min. Ground clearance	350 mm
Gauge	2235 mm
Track width	800 mm
Length of dump bed	3658 mm
Width of dump bed	2489 mm
Engine	Caterpillar C7.1