

GROUND BELOW

Soilmec SR30

Plant Information



GROUND BELOW

Soilmec SR30 Transport Dimensions & Weights

Plant	Transport			
	Length	Width	Height	Weight
Soilmec – SR30	12.48m	2.55m	3.33m	37t

Transport Method

Transports with Kelly bar in requiring single float only

Configurations

Large Diameter Piles (LDP)

Max. Diameter 1500mm

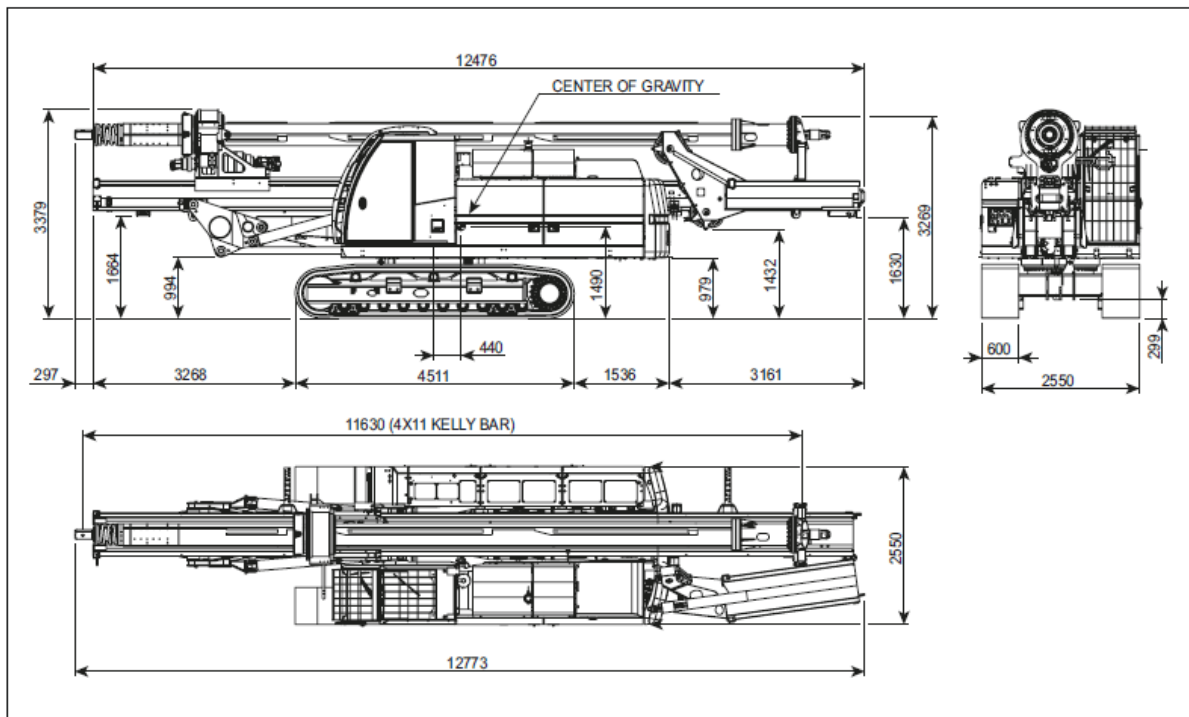
Max. Depth 34m

Continuous Flight Auger (CFA)

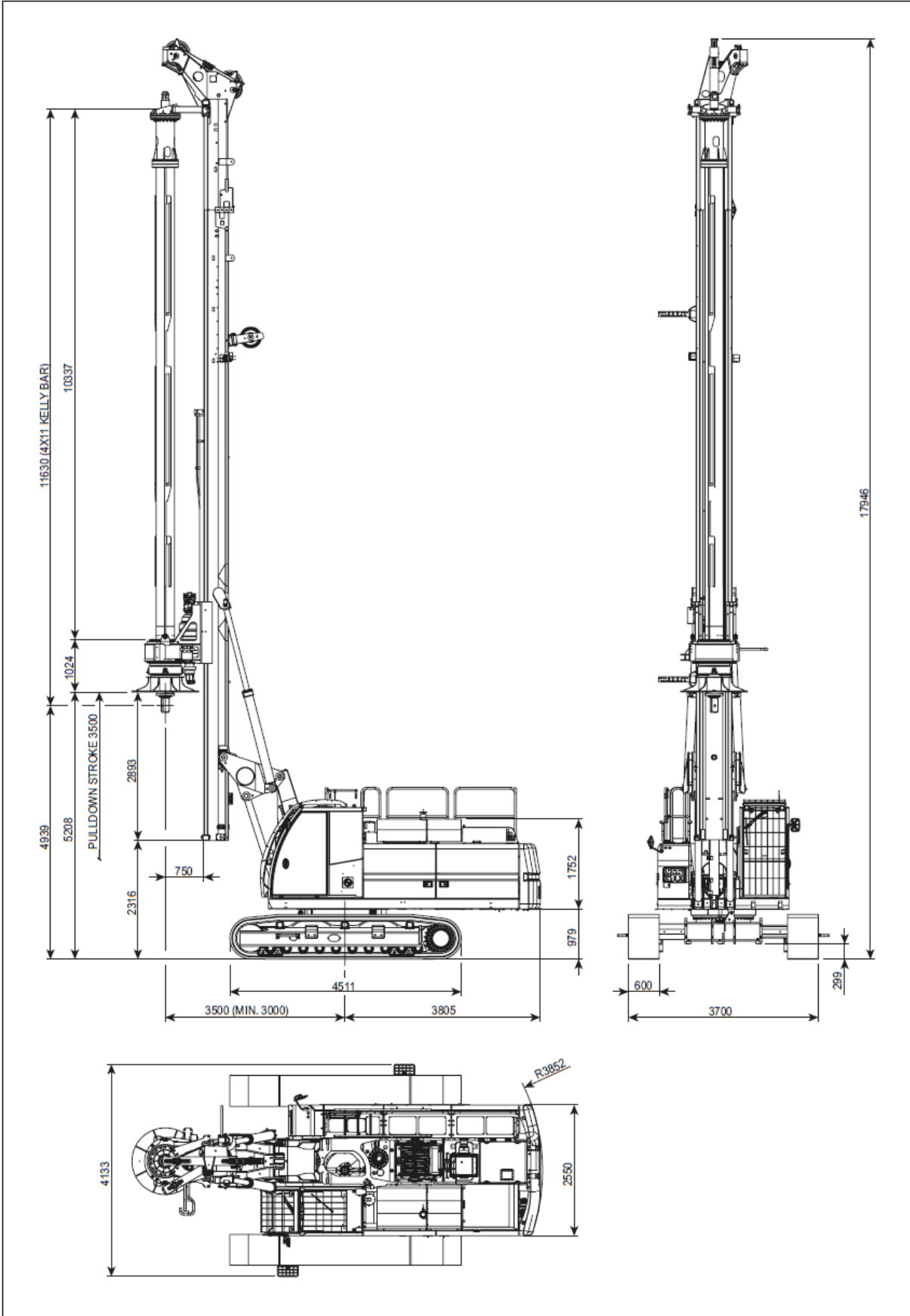
Max. Diameter 900mm

Max. Depth 23m

Soilmec SR30 Dimensions



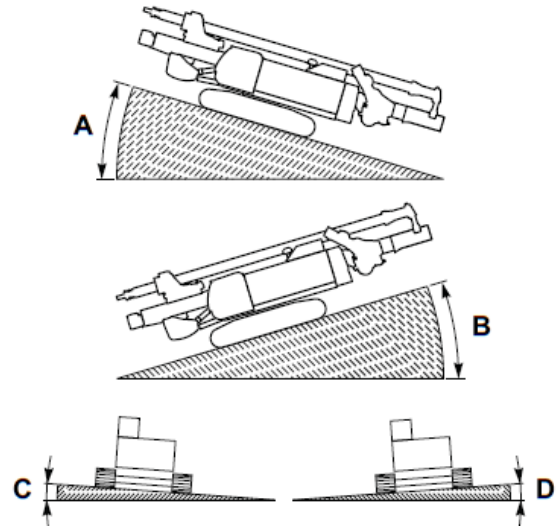
GROUND BELOW



GROUND BELOW

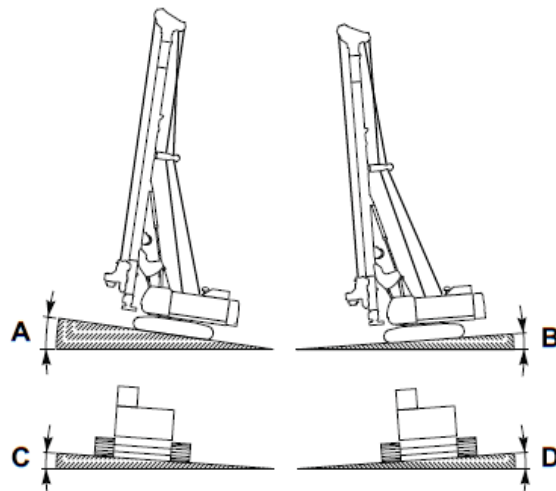
Soilmec SR30 Tramming in Transport Condition (with Kelly Bar Installed)

Slope angle			
A	B	C	D
15°	15°	3°	3°
Max ground pressure (MPa)			
0.2			



Soilmec SR30 Tramming in the Work Configuration without the drilling equipment

Slope angle			
A	B	C	D
10°	8°	3°	3°
Max ground pressure (MPa)			
0.17			



GROUND BELOW

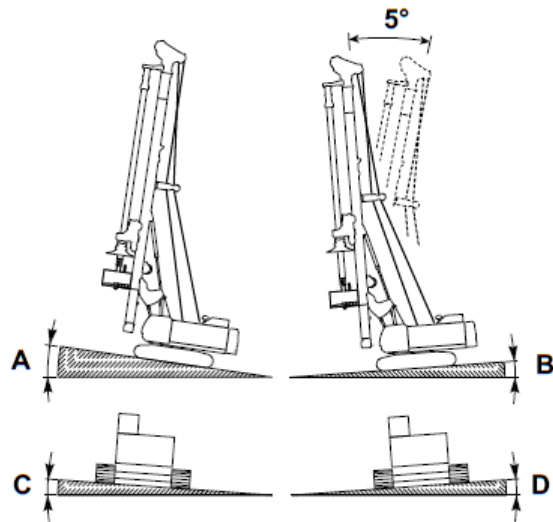
Soilmec SR30 Tramming in the work configurations with the Kelly Drilling equipment

Slope angle			
A	B	C	D
8°	3°	3°	3°
Max ground pressure (MPa)			
0.28			



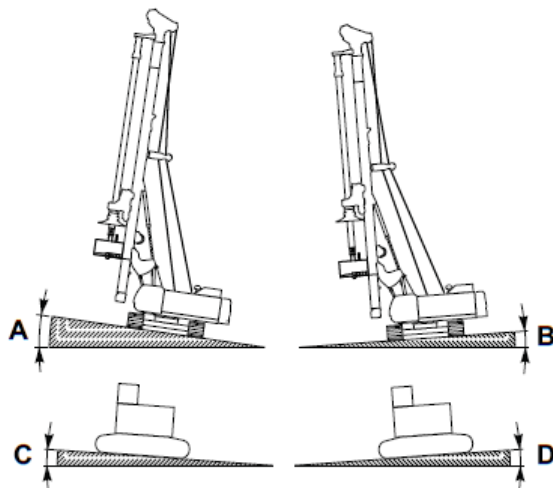
DANGER

When working on flat soil or in case (B), the mast must be tilted back by 5°.



Soilmec SR30 Tramming in the work configuration with Kelly Drilling equipment in Cross Track

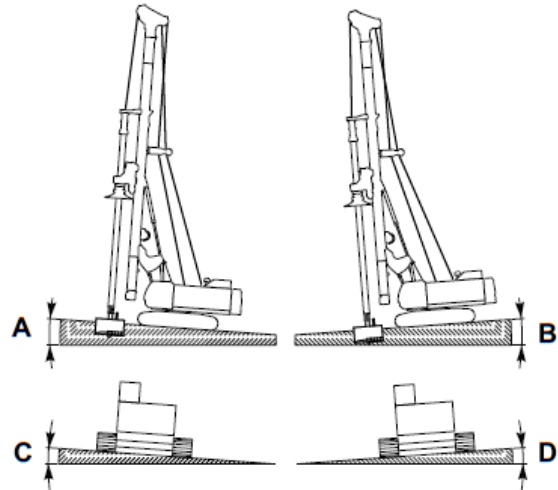
Slope angle			
A	B	C	D
3°	1°	3°	3°
Max ground pressure (MPa)			
0.17			



GROUND BELOW

Soilmec SR30 Operation with Kelly System

Slope angle			
A	B	C	D
3°	3°	3°	3°
Max ground pressure (MPa)			
0.79			



Soilmec SR30 Operation with Kelly System in Cross Track

Slope angle			
A	B	C	D
3°	1°	3°	3°
Max ground pressure (MPa)			
0.3			

