

GROUND BELOW

Soilmec SR40

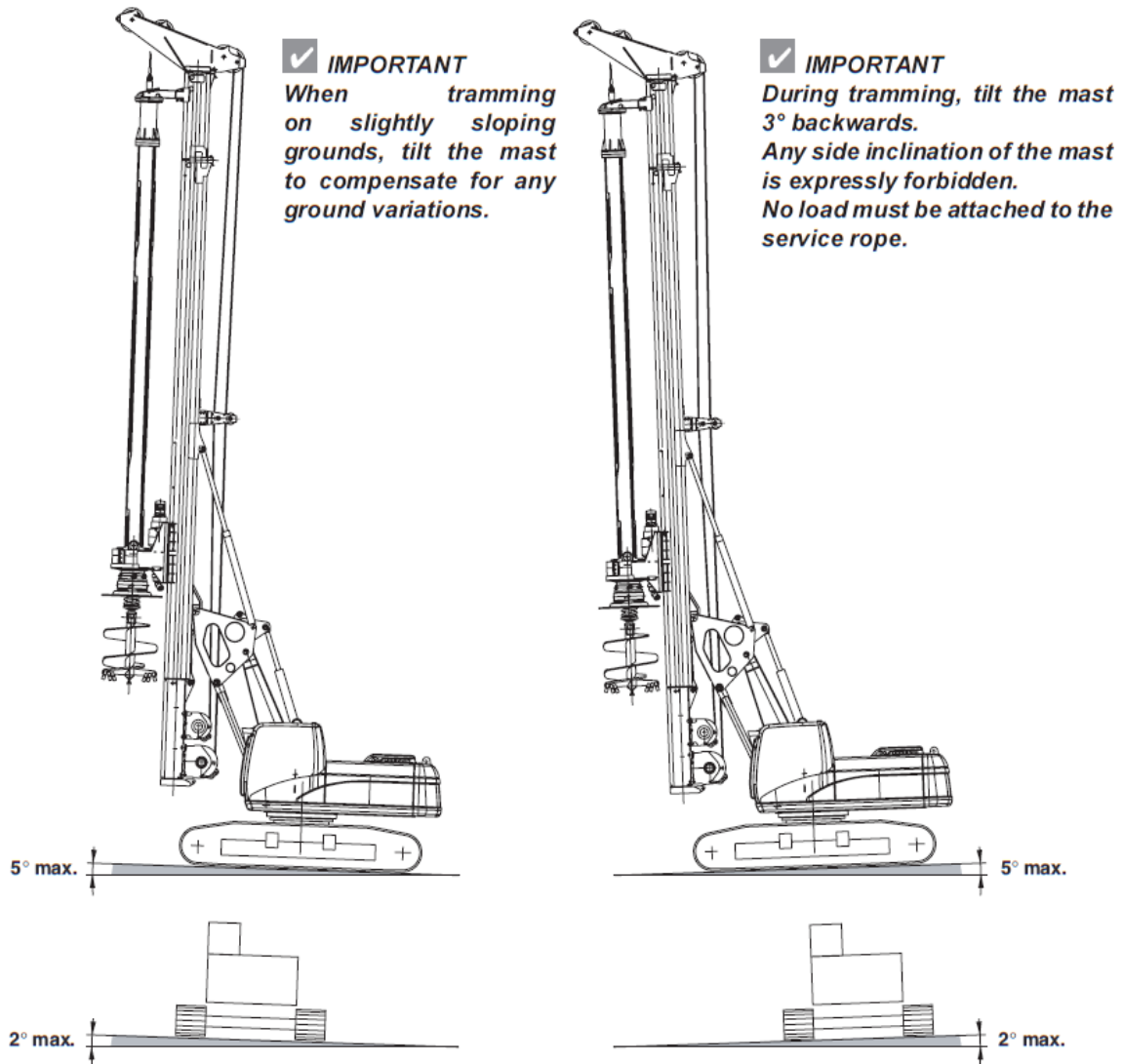
Plant Information



GROUND BELOW

MAX AUTHORIZED SLOPES AND PRESSURES ON THE GROUND - KELLY VERSION

TRAMMING CONFIGURATION WITH VERTICAL MAST



MAX PRESSURE ON THE GROUND = 0.19 MPa



DANGER

Do not exceed the max limits indicated in this manual.



WARNING

In case of different ground conditions, compulsorily address to SOILMEC After-Sales Service.



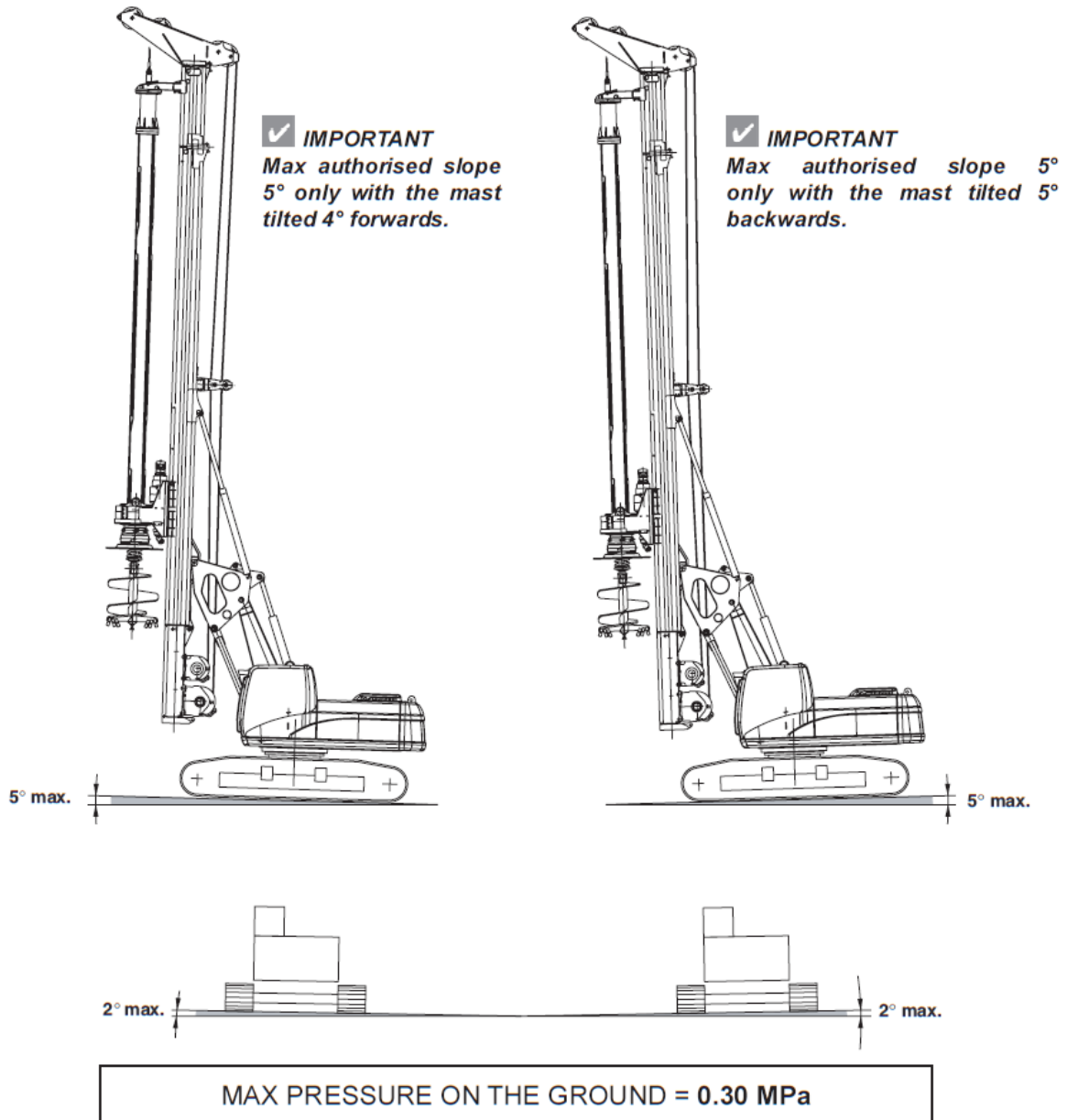
DANGER

During tramming, you must:

- lower the rotary table fully down
- be sure the turret is blocked and no accidental rotation is possible
- proceed with extreme caution.

GROUND BELOW

WORK CONFIGURATION



⚠ DANGER

Do not exceed the max limits indicated in this manual.

⚠ WARNING

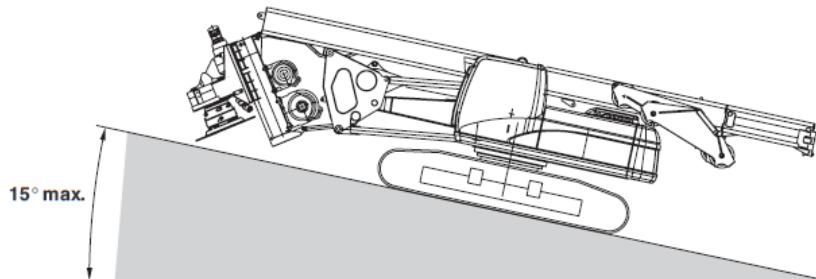
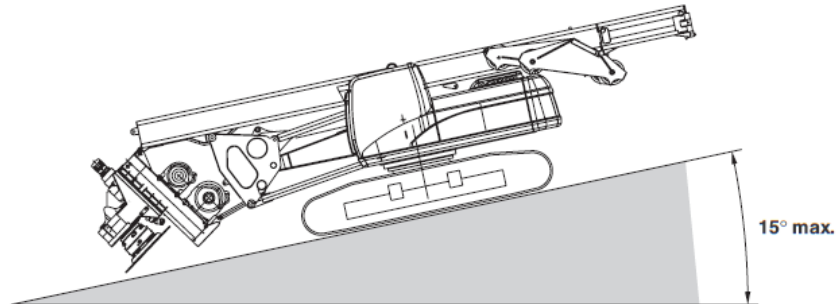
In case of different ground conditions, compulsorily address to SOILMEC After-Sales Service.

⚠ DANGER

Make sure that the ground is firm and can withstand the pressure of the machine in the different configurations.

GROUND BELOW

TRANSPORT CONFIGURATION



MAX PRESSURE ON THE GROUND = 0.14 MPa

 **DANGER**

Do not exceed the max limits indicated in this manual.

 **WARNING**

In case of different ground conditions, compulsorily address to SOILMEC After-Sales Service.

 **DANGER**

Make sure that the ground is firm and can withstand the pressure of the machine in the different configurations.